

GRILLETES ALTA RESISTENCIA / high resistance



GRILLETE RECTO

screw pin chain shackle



GRILLETE LIRA

screw pin anchor shackle



GRILLETE LIRA

tuerca y pasador

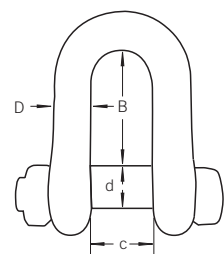
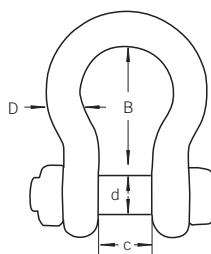
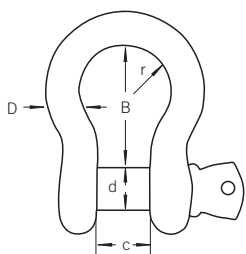
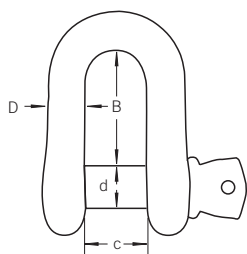
screw pin anchor shackle bolt type



GRILLETE RECTO

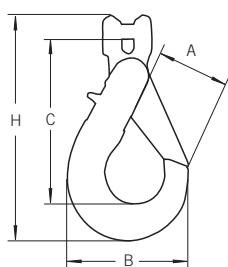
tuerca y pasador

screw pin chain shackle bolt type



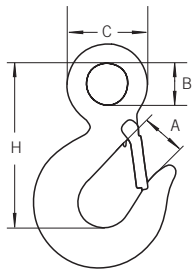
| RECTO | LIRA | LIRA tuerca y pasador | RECTO tuerca y pasador | CMU (Ton) | B | C | D | d | 2r |
|-----------|-----------|--------------------------|---------------------------|--------------|-----|-----|----|----|-----|
| HS1102 | HS1302 | HS1402 | HS1502 | 2,00 | 43 | 22 | 13 | 16 | 32 |
| HS1103,25 | HS1303,25 | HS1403,25 | HS1503,25 | 3,25 | 51 | 26 | 16 | 19 | 43 |
| HS1104,75 | HS1304,75 | HS1404,75 | HS1504,75 | 4,75 | 59 | 31 | 19 | 22 | 51 |
| HS1106,5 | HS1306,5 | HS1406,5 | HS1506,5 | 6,50 | 73 | 36 | 22 | 25 | 58 |
| HS1108,5 | HS1308,5 | HS1408,5 | HS1508,5 | 8,50 | 85 | 43 | 25 | 28 | 68 |
| HS1109,5 | HS1309,5 | HS1409,5 | HS1509,5 | 9,50 | 90 | 47 | 28 | 32 | 75 |
| HS1112 | HS1312 | HS1412 | HS1512 | 12,00 | 94 | 51 | 32 | 35 | 83 |
| HS1113,5 | HS1313,5 | HS1413,5 | HS1513,5 | 13,50 | 115 | 57 | 35 | 38 | 92 |
| HS1117 | HS1317 | HS1417 | HS1517 | 17,00 | 127 | 60 | 38 | 42 | 99 |
| HS1125 | HS1325 | HS1425 | HS1525 | 25,00 | 149 | 74 | 45 | 50 | 126 |
| HS1135 | HS1335 | HS1435 | HS1535 | 35,00 | 171 | 83 | 50 | 57 | 146 |
| HS1155 | HS1355 | HS1455 | HS1555 | 55,00 | 203 | 105 | 65 | 70 | 185 |

GANCHO ACOPLAMIENTO CADENA AUTO-CIERRE / eye safety hook



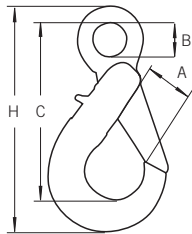
| GANCHO ACOPLAM. AUTO-CIERRE | CMU (Ton) | para cadena (mm) | A | B | C | H |
|-----------------------------------|--------------|------------------------|----|-----|-----|-----|
| HS0408 | 2,0 | 7-8 | 34 | 88 | 123 | 158 |
| HS0410 | 3,2 | 10 | 45 | 107 | 144 | 187 |
| HS0413 | 5,4 | 13 | 52 | 138 | 180 | 236 |
| HS0416 | 8 | 16 | 99 | 160 | 210 | 290 |

GANCHO DE OJO / eye hook



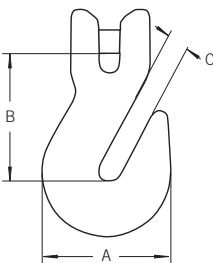
| GANCHO DE OJO | CMU (Ton) | A | B | C | H |
|---------------|-----------|----|----|----|-----|
| HS3201 | 1,0 | 24 | 19 | 38 | 80 |
| HS3201,5 | 1,5 | 24 | 23 | 44 | 93 |
| HS3202 | 2,0 | 25 | 28 | 51 | 104 |
| HS3203 | 3,0 | 28 | 31 | 61 | 119 |
| HS3204,5 | 4,5 | 34 | 39 | 74 | 146 |

GANCHO DE OJO AUTO-CIERRE / safety hook



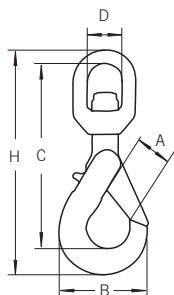
| GANCHO DE OJO AUTO-CIERRE | CMU (Ton) | A | B | C | H |
|---------------------------|-----------|----|-----|-----|-----|
| HS3301,12 | 1,2 | 28 | 22 | 107 | 138 |
| HS3302 | 2,0 | 35 | 90 | 135 | 170 |
| HS3303,2 | 3,2 | 44 | 107 | 170 | 215 |
| HS3305,4 | 5,4 | 52 | 135 | 210 | 270 |
| HS3308 | 8,0 | 60 | 170 | 250 | 330 |
| HS3311,2 | 11,2 | 85 | 190 | 270 | 350 |
| HS3315 | 15,0 | 80 | 210 | 310 | 410 |

GANCHO DE GARFIO ACOPLAMIENTO / clevis grab hook



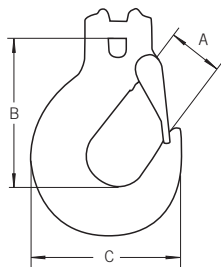
| GANCHO GARFIO ACOPLAM. | para cadena | A | B | C |
|------------------------|-------------|----|----|------|
| HS0308 | 8 | 50 | 53 | 10,8 |
| HS0310 | 10 | 72 | 72 | 13,0 |
| HS0313 | 13 | 95 | 92 | 15,8 |

GANCHO GIRATORIO AUTO-CIERRE / swivel safety hook



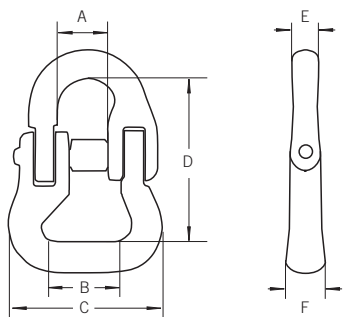
| GANCHO GIRATORIO AUTO-CIERRE | CMU (Ton) | A | B | C | D | H |
|------------------------------|-----------|----|-----|-----|----|-----|
| HS3502 | 2,0 | 35 | 89 | 190 | 35 | 230 |
| HS3503,2 | 3,2 | 45 | 107 | 225 | 41 | 270 |
| HS3505,4 | 5,4 | 52 | 138 | 265 | 49 | 325 |

GANCHO GATILLO DE ACOPLAMIENTO CADENA / eye safety hook



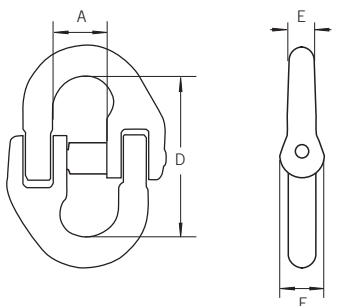
| GANCHO GATILLO ACOPLAM. | para cadena (mm) | A | B | C |
|-------------------------|------------------|----|-----|-----|
| HS0508 | 8 | 33 | 85 | 87 |
| HS0510 | 10 | 40 | 103 | 105 |
| HS0513 | 13 | 52 | 126 | 130 |
| HS0516 | 16 | 58 | 147 | 155 |

CONECTOR CADENA - CINTA / sling connecting link



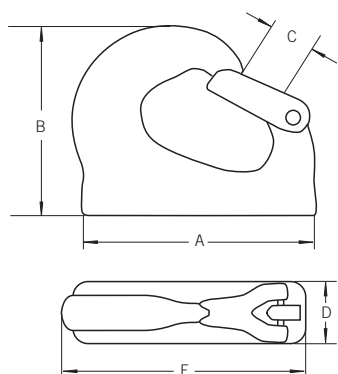
| CONECTOR CADENA CINTA | para cadena (mm) | A | B | C | D | E | F |
|-----------------------|------------------|----|----|------|----|----|------|
| HS0808 | 7 - 8 | 18 | 28 | 61,0 | 65 | 10 | 24,0 |
| HS0810 | 10 | 11 | 28 | 65,5 | 78 | 11 | 30,5 |
| HS0813 | 13 | 28 | 38 | 86,5 | 94 | 17 | 35,0 |

CONECTOR CADENA / connecting link



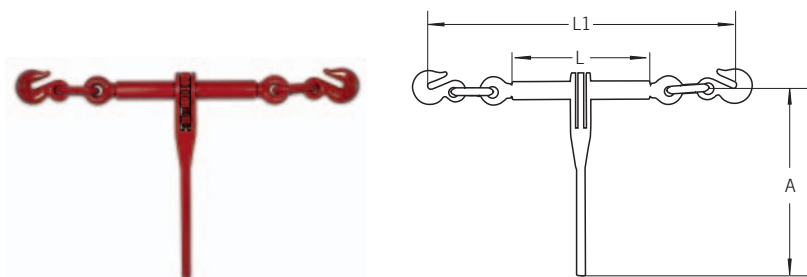
| CONECTOR CADENA | para cadena (mm) | A | D | E | F |
|-----------------|------------------|------|-----|------|------|
| HS0708 | 7 - 8 | 18,0 | 55 | 8,6 | 14,0 |
| HS0710 | 10 | 25,0 | 58 | 11,5 | 17,7 |
| HS0713 | 13 | 29,0 | 85 | 16,0 | 23,8 |
| HS0716 | 16 | 34,5 | 105 | 20,0 | 29,0 |
| HS0719 | 19 | 40,0 | 120 | 24,0 | 34,0 |
| HS0722 | 22 | 49,0 | 137 | 26,0 | 38,7 |
| HS0726 | 26 | | | | |

GANCHO SOLDABLE / weld-on hook



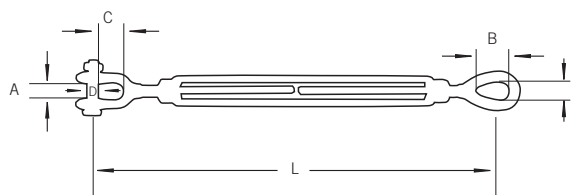
| GANCHO SOLDABLE | CMU (Ton) | A | B | C | D | E |
|-----------------|-----------|-----|-----|----|----|-----|
| HS0902 | 2 | 80 | 92 | 25 | 35 | 112 |
| HS0903 | 3 | 115 | 105 | 30 | 37 | 128 |
| HS0905 | 5 | 156 | 130 | 33 | 45 | 175 |
| HS0908 | 8 | 165 | 135 | 35 | 55 | 180 |
| HS0910 | 10 | 200 | 165 | 50 | 55 | 225 |

TENSOR CADENA / ratchet type loadbinder



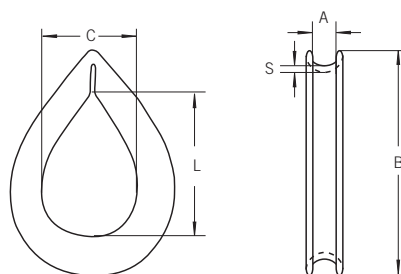
| RATCHET | para cadena (mm) | L | L1 (cerrado) | A |
|---------|------------------|-----|--------------|-----|
| HS2210 | 8 - 10 | 255 | 570 | 360 |
| HS2213 | 10 - 13 | 255 | 600 | 360 |
| HS2216 | 13 - 16 | 255 | 670 | 360 |

TENSOR CÁNCAMO HORQUILLA / turnbuckle eye-fork



| TENSOR | MEDIDA | CMU (Ton) | A | B | C | D | E | L (cerrado) |
|-----------|----------------------|-----------|----|-----|----|------|----|-------------|
| HS2112x12 | 1/2x12 | 1,00 | 15 | 36 | 27 | 10,0 | 18 | 460 |
| HS2116x12 | 5/8x12 | 1,59 | 18 | 44 | 32 | 12,5 | 22 | 510 |
| HS2120x18 | 3/4x18 | 2,36 | 24 | 54 | 38 | 16,0 | 24 | 700 |
| HS2122x18 | 7/8x18 | 3,27 | 29 | 57 | 45 | 19,0 | 30 | 750 |
| HS2125x18 | 1x18 | 4,54 | 29 | 73 | 52 | 22,0 | 35 | 790 |
| HS2136x24 | 1 ^{1/2} x24 | 9,71 | 52 | 101 | 73 | 36,0 | 53 | 1050 |

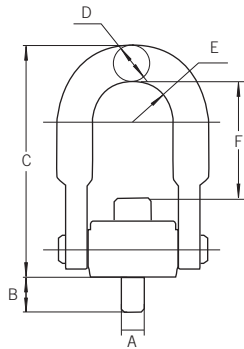
GUARDACABO / thimble



| GUARDACABO | para cable (mm) | B | L | C | S |
|------------|-----------------|-----|-----|-----|------|
| HS5009 | 8 | 54 | 33 | 22 | 4,0 |
| HS5010 | 10 | 64 | 38 | 25 | 4,8 |
| HS5013 | 13 | 73 | 41 | 29 | 4,8 |
| HS5014 | 14 | 80 | 44 | 32 | 5,6 |
| HS5016 | 16 | 98 | 59 | 41 | 7,9 |
| HS5018 | 18 | 108 | 67 | 44 | 7,9 |
| HS5020 | 20 | 124 | 73 | 51 | 9,5 |
| HS5022 | 22 | 133 | 83 | 57 | 9,5 |
| HS5026 | 26 | 162 | 108 | 70 | 10,3 |
| HS5030 | 30 | 197 | 133 | 95 | 12,7 |
| HS5036 | 36 | 229 | 152 | 105 | 15,9 |
| HS5040 | 40 | 254 | 165 | 114 | 17,5 |

CÁNCAMO

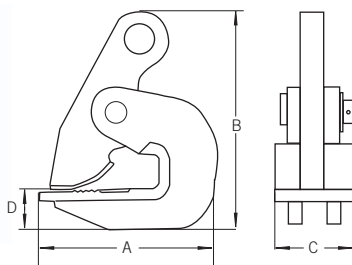
/ swivels



| CÁNCAMO | WLL (Ton) | CMR (Ton) | A | B | C | D | E | F | W |
|---------|-----------|-----------|-----|----|-------|----|------|-------|-------|
| HS7110 | 0,45 | 2,7 | M10 | 17 | 69,6 | 11 | 11,8 | 28,0 | 0,21, |
| HS7112 | 1 | 6,0 | M12 | 19 | 121,2 | 19 | 22,4 | 61,75 | 1,1 |
| HS7116 | 1,75 | 10,5 | M16 | 24 | 124,2 | 20 | 22,4 | 55,7 | 1,2 |
| HS7120 | 2,7 | 16,2 | M20 | 30 | 168,8 | 27 | 35,1 | 55,4 | 3,3 |
| HS7124 | 3,5 | 21,0 | M24 | 34 | 168,8 | 27 | 35,1 | 59,4 | 3,4 |
| HS7130 | 7 | 42,0 | M30 | 66 | 237,8 | 38 | 44,5 | 69,4 | 11,8 |
| HS7136 | 11 | 66,0 | M36 | 69 | 319,3 | 48 | 57,2 | 124,8 | 20,5 |

GARRA HORIZONTAL

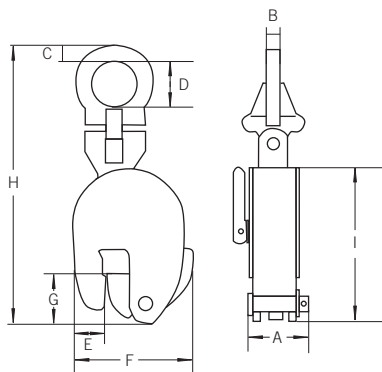
/ horizontal lifting clamp



| GARRA HORIZ. | Art. nº | wl/ Pair | Grosor de Chapa | A | B | C | D | W |
|--------------|---------|----------|-----------------|-----|-----|----|----|------|
| SA0002 | DHQ2T | 2 | 0-20 | 127 | 156 | 56 | 29 | 2,12 |
| SA0003 | DHQ3T | 3 | 0-30 | 152 | 190 | 64 | 31 | 3,4 |
| SA0005 | DHQ5T | 5 | 20-60 | 220 | 293 | 70 | 54 | 8,5 |

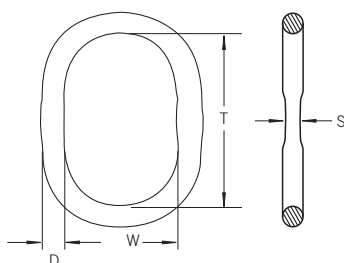
GARRA VERTICAL

/ vertical lifting clamp



| GARRA VERTIC. | Art. nº | wl | Grosor de Chapa | A | B | C | D | E | F | G | H | I | W |
|---------------|---------|----|-----------------|----|----|----|----|----|-----|----|-------|-----|-----|
| SA0101 | DSQ1 | 1 | 0-16 | 59 | 12 | 16 | 45 | 32 | 122 | 73 | 277,5 | 155 | 3,7 |
| SA0102 | DSQ2 | 2 | 0-22 | 61 | 16 | 23 | 55 | 45 | 165 | 90 | 340 | 190 | 6,3 |

ARGOLLA / master link



| ARGOLLA | CMU (Ton) | D | T | W | S |
|----------|-----------|----|-----|-----|----|
| HS0601,2 | 1,2 | 11 | 90 | 65 | 10 |
| HS0602 | 2 | 13 | 110 | 75 | 10 |
| HS0603 | 3 | 16 | 120 | 85 | 13 |
| HS0604,7 | 4,7 | 20 | 135 | 95 | 14 |
| HS0606,4 | 6,4 | 23 | 160 | 110 | 17 |
| HS0611 | 11 | 27 | 180 | 125 | 20 |